



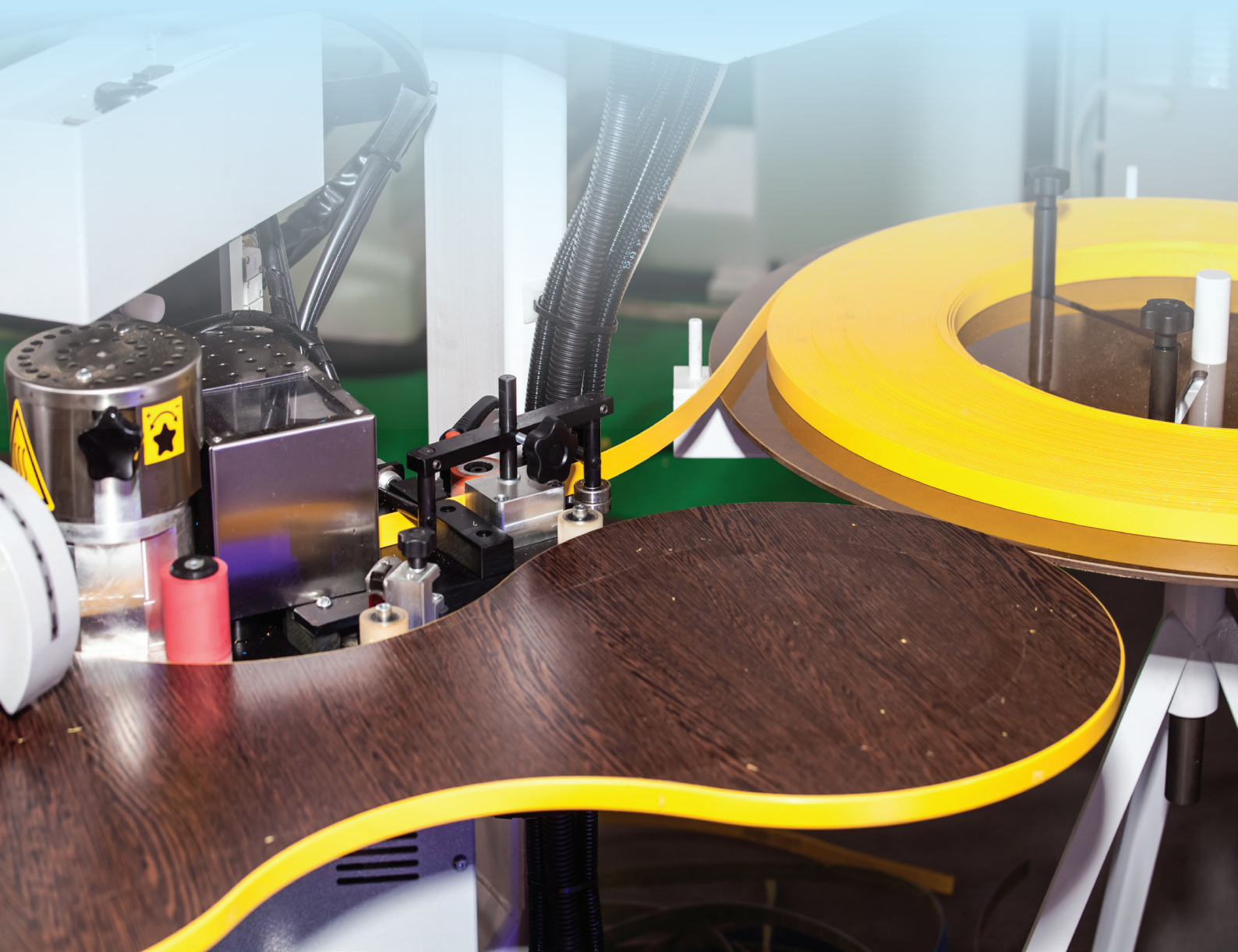
EdgeWorks

**EdgeWorks extends the
NestingWorks features**

EdgeWorks®

**Create Cutting Edge Competitive Advantages with
High Quality Software**

EdgeWorks® is an add-in for SOLIDWORKS which aids for a faster and improved design to the market. It processes all the information required to manufacture the component with complete ease and simplicity; works seamlessly with SOLIDWORKS, CAMWORKS, NestingWorks.

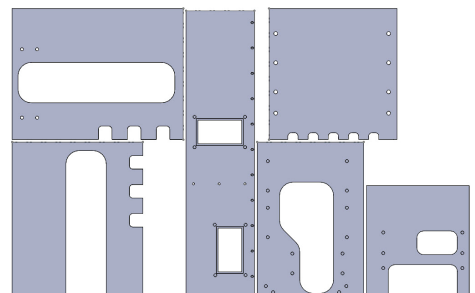
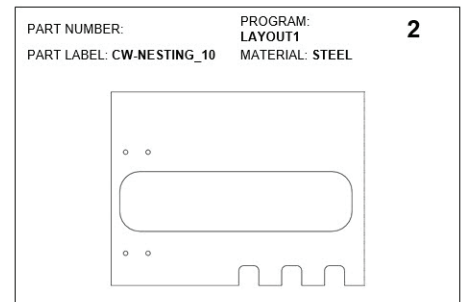
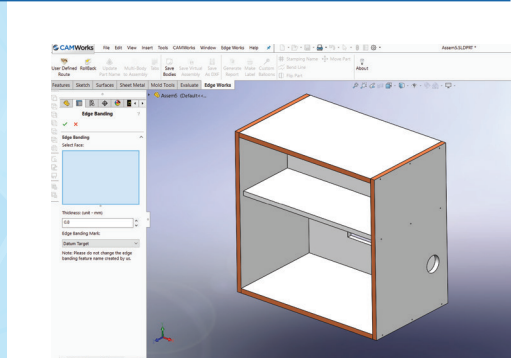


Your SOLIDWORKS software now has an add-in available for faster and improved design. EdgeWorks® processes information quickly and flawlessly when it comes to the component manufacturing process. EdgeWorks® integrates seamlessly with SOLIDWORKS, CAMWORKS and NestingWorks programs.

EdgeWorks® creates banding for SOLIDWORKS models: Assemblies, nest, generate tool path and print reports for manufacturing - all done inside your SOLIDWORKS program.

Overview

- **Reports** - EdgeWorks® creates reports for manufacturing. The report contains all information - materials, thickness, sheet size and Edge Banding.
- **Create and print separate labels** – EdgeWorks® generates Word documents with labels for each individual part.
- **Flip Parts in Nest** - Nested parts often need flipping for some parts if the machining requires it on obverse sides. EdgeWorks® allows the user to flip parts with a single click. This makes the machining process seamless.
- **Move Parts in Nest** - Users may need to move parts after nesting. Users only need to type the amount to move. EdgeWorks® moves those parts in any direction.
- **Stamping Part Names** - EdgeWorks® creates automatic part naming on the top of each part needing engraving.
- **Save** – Each layout is an individual DXF.



We at NC Tools have seen too many of our valued users caught in loops of failing to save individual DXF's, sorting groups and materials and then applying tool paths into different software. Some are even going manual - nesting components in SOLIDWORKS and saving the DXF's to import into the machine. This is a time consuming and tedious process. EdgeWorks® streamlines this process, increases productivity and output for your customer base.